

Ring 65

PENDANT



SPECIFICATION SHEET

Ring 65



Model 1691

Type
P Pendant

Size

24	25.5" [647mm]
36	36.9" [938mm]
48	48.4" [1229mm]
60	59.8" [1519mm]
72	71.2" [1808mm]
Custom	

Wattage ^{1,2}

Direct ³	Indirect ⁴
24"	
LD 18W (2400lm)	LI 18W (2400lm)
MD 36W (4460lm)	MI 36W (4460lm)
36"	
LD 27W (3600lm)	LI 27W (3600lm)
MD 54W (6685lm)	MI 54W (6685lm)
48"	
LD 36W (4800lm)	LI 36W (4800lm)
MD 72W (8915lm)	MI 72W (8915lm)
60"	
LD 45W (6000lm)	LI 45W (6000lm)
MD 90W (11145lm)	MI 90W (11145lm)
72"	
LD 54W (7200lm)	LI 54W (7200lm)
MD 108W (13375lm)	MI 108W (13375lm)

XD – No Direct XI – No Indirect

Color Temp ⁵

30	3000
35	3500
40	4000

Voltage

2 220/240 Volt

Driver

RD Remote
ID Integral (in canopy)

Control - RD

S Non-dim
D010 0-10V
DALI DALI
SWD SwitchDIM
X If integral driver is selected

Control - ID (in canopy - if selected)

S Non-dim
D010 0-10V
DALI DALI
X If remote driver is selected

Diffuser Bottom

SW Satin opal acrylic
CB Aluminum – painted to match the fixture

Diffuser Top

SA Satin clear acrylic
CT Aluminum – painted to match the fixture

Finish ⁶

19 Painted anodized aluminum - RAL 9006 matte
21 Painted white - RAL 9010 matte
26 Painted black - RAL 9005 matte
22 Painted custom color

Mounting

SCRD Straight cables - remote driver
SCID Straight cables - driver in canopy
CERD Center canopy - remote driver
CEID Center canopy - driver in canopy

Circuit

CS Circuit - Single
CD Circuit - Dual

Power Cable ⁷

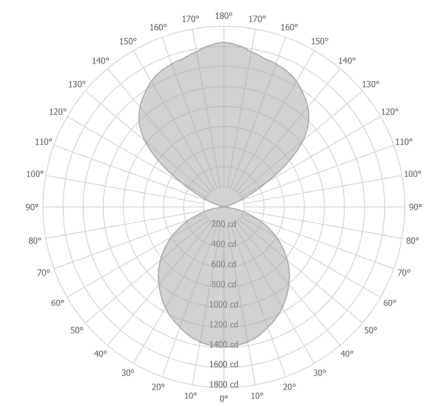
CC Clear insulated cable (standard)
WC White cable
BC Black cable

Notes

- Nominal lumens value specified
- Linear LED board, constant voltage 24 Volt
- For no Direct light specify XD
- For no Indirect light specify XI
- 90+ CRI standard
- Canopy finish matches housing
- 96" standard cable length

Example fixture number:

1691 - P - 36 - LD - LI - 30 - 2 - RD - S - X - SW - SA - 19 - SCRCD - CS - CC



Ring 65

PENDANT

Ring 65, with its appearance, gives a refined architectural statement and is suitable for use in any modern environment. Consider the many standard and custom modifications that can be used to make this a unique solution. The narrow line of the light fixture enables you to create appealing lighting scenarios.



Size	
24	25.5" [647mm]
36	36.9" [938mm]
48	48.4" [1,229mm]
60	59.8" [1,519mm]
72	71.2" [1,808mm]
Custom	



* 65mm x 65mm fixture body profile
* Straight cables or center canopy mounting options available

Ring 65

PENDANT



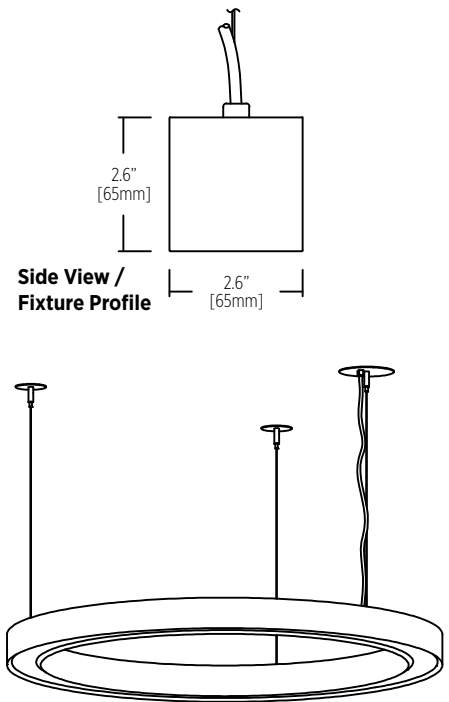
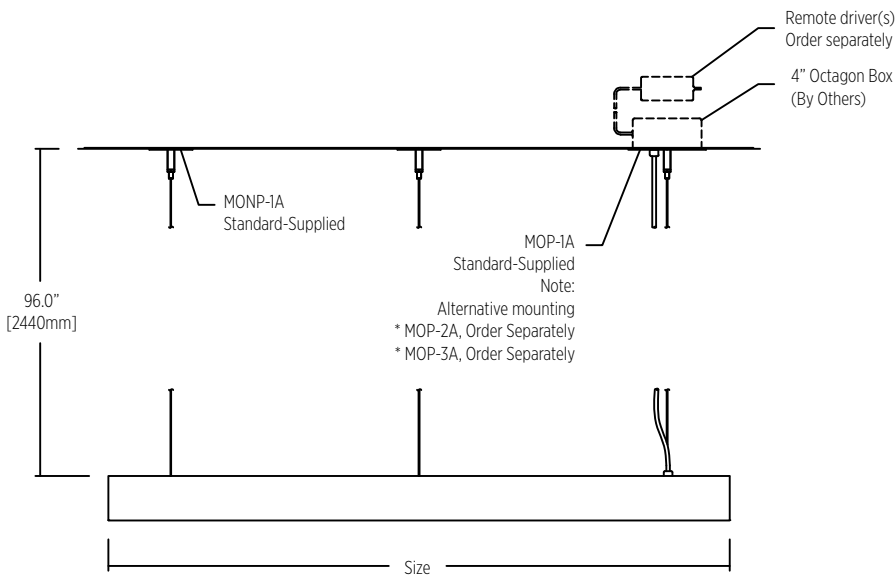
SPECIFICATION SHEET

Ring 65



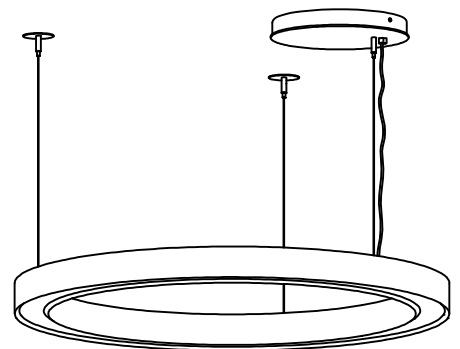
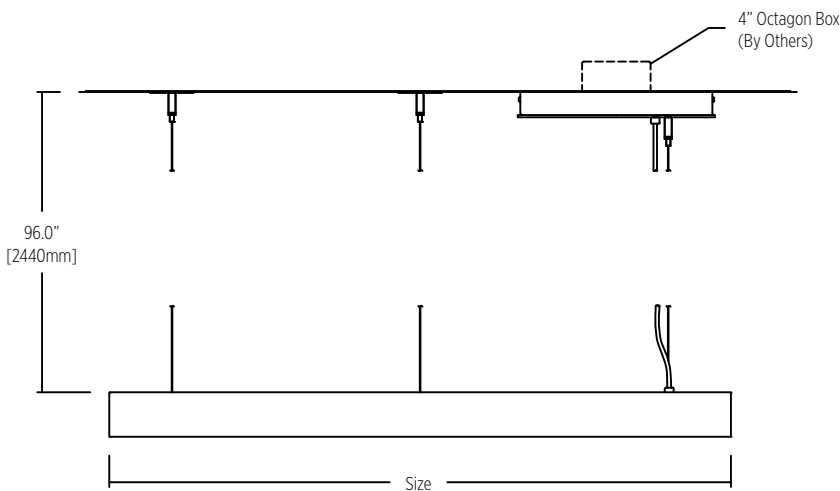
INSTALLATION TYPE

Straight cables with remote driver



Note:
See page 3 & 4 for mounting options

Straight cables with surface mounted canopy with integral driver - Order separately



Ring 65

PENDANT

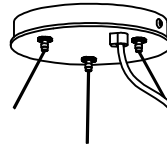
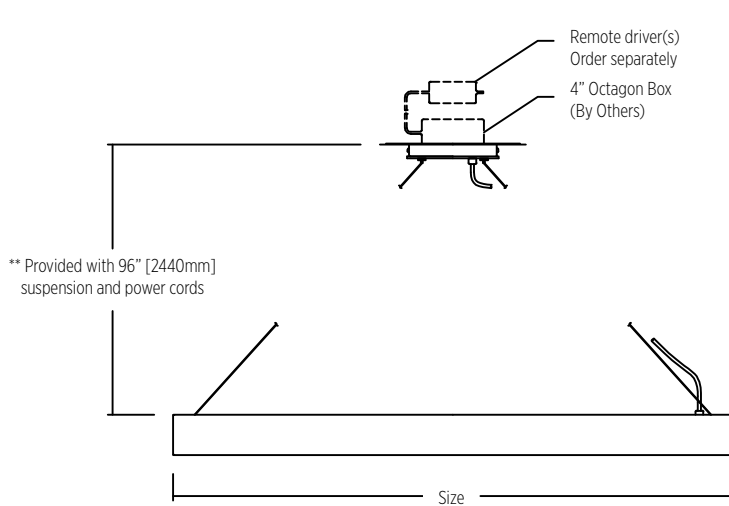


SPECIFICATION SHEET

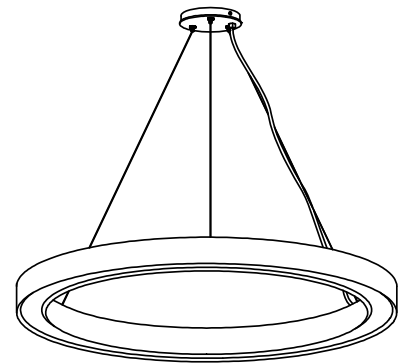
Ring 65



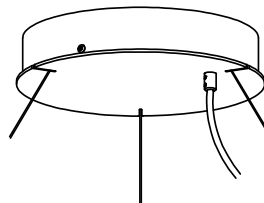
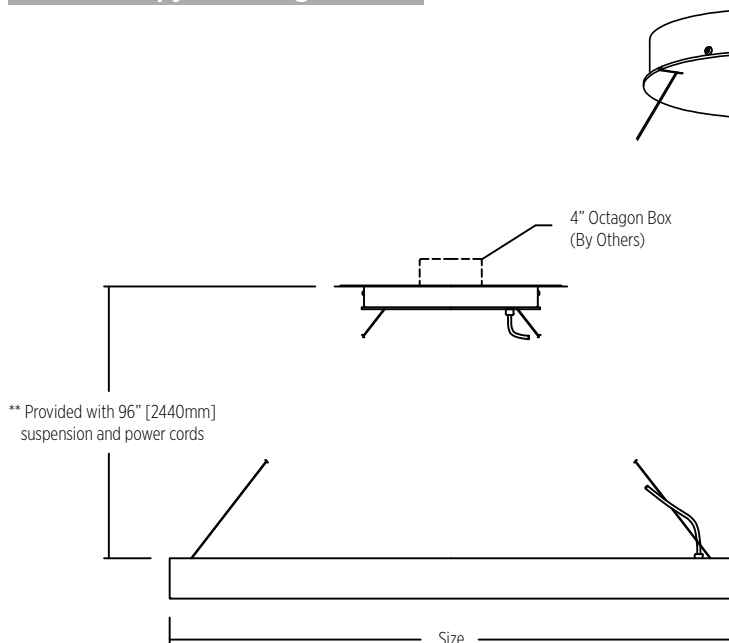
Center canopy with remote driver



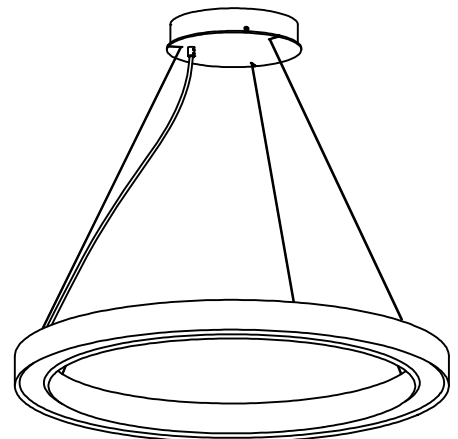
Center canopy
5.9" [150mm] Dia. x 0.9" [22mm] deep
Fixture mounts directly to 4" octagon box - supplied and installed by others



Center canopy with integral driver



Center canopy with integral driver
12" [305mm] Dia. x 1.9" [49mm] deep
Canopy mounts directly to the ceiling.
Mounting hardware provided. Optional mounting holes for 4" octagon box - provided. 4" octagon box - supplied and installed by others



Minimum mounting height per fixture size for center canopy options:

Fixture Size (Diameter)	Minimum Mounting Height
24" [647mm]	15" [380mm]
36" [938mm]	20" [510mm]
48" [1,229mm]	30" [760mm]
60" [1,519mm]	40" [1,015mm]
72" [1,808mm]	50" [1,270mm]

Ring 65

PENDANT

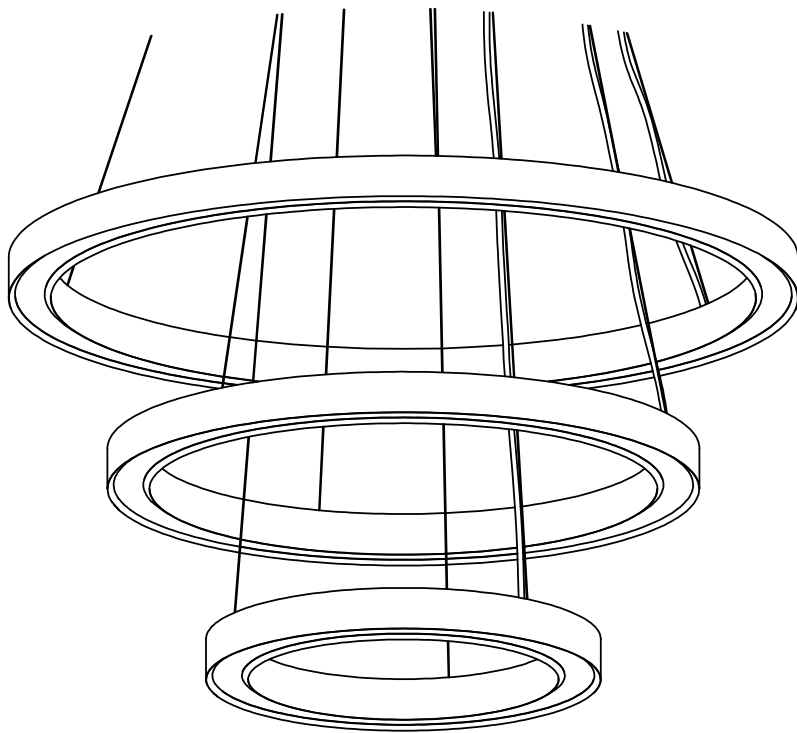


SPECIFICATION SHEET

Ring 65

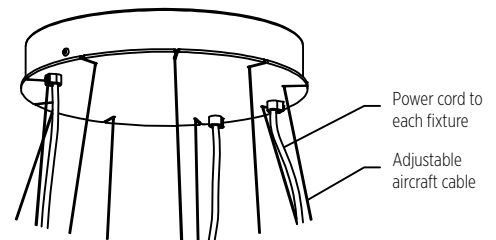


Multiple configuration



Multiple fixture cluster

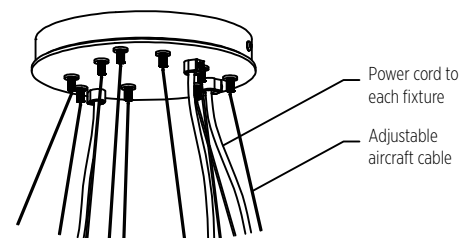
Please advise number of fixtures, size and suspension length for each fixture



Center canopy with integral driver 12" [305mm] Dia. x 1.9" [49mm] deep

Canopy mounts directly to the ceiling.
Mounting hardware provided.

Optional mounting holes for 4" octagon box - provided. 4" octagon box - supplied and installed by others.



Center canopy with remote driver 7.5" [190mm] Dia. x 1.1" [28mm] deep

Canopy mounts directly to the ceiling.
Mounting hardware provided.

Optional mounting holes for 4" octagon box - provided. 4" octagon box - supplied and installed by others.

Ring 65

PENDANT



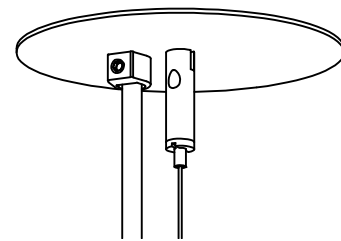
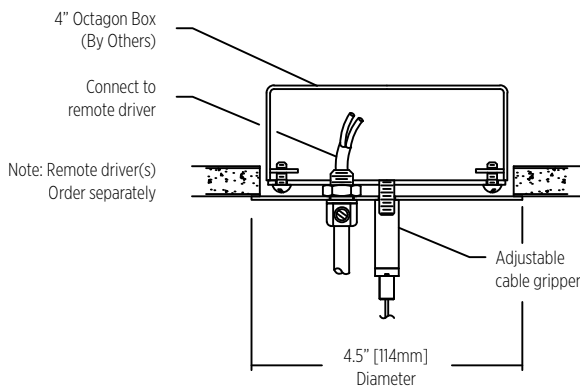
SPECIFICATION SHEET

Ring 65



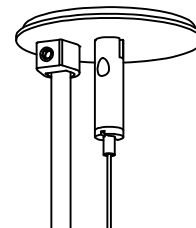
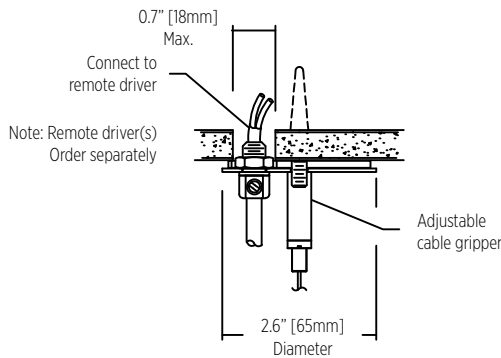
STRAIGHT CABLES MOUNTING OPTION - POWER

MOP-1A Standard - Supplied



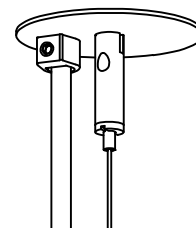
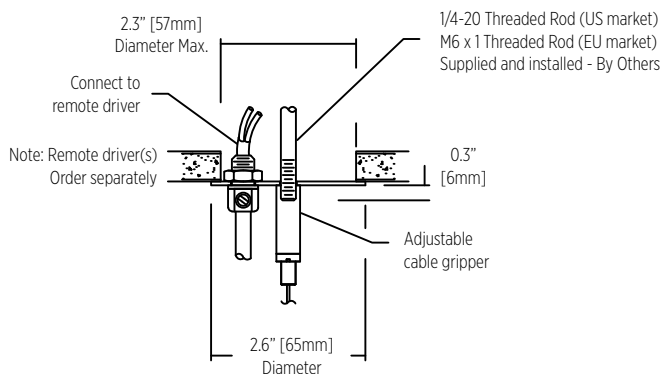
Mounting Option Power 1A
Octagon Box (By Others)
Installed in drywall, wood or concrete ceiling

MOP-2A-1 Order Separately



Mounting Option Power 2A-1
Suspension assembly
Installed in drywall or wood ceiling

MOP-2A-2 Order Separately



Mounting Option Power 2A-2
Suspension assembly
Installed in drywall or wood ceiling

Ring 65

PENDANT

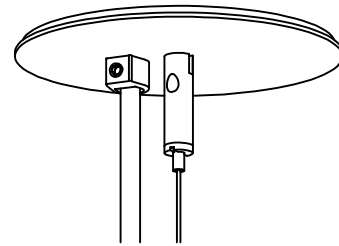
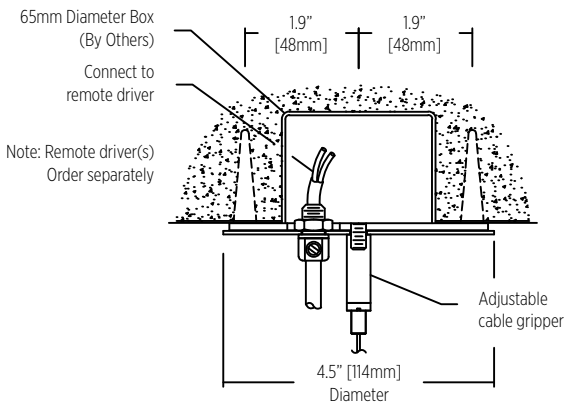


SPECIFICATION SHEET

Ring 65



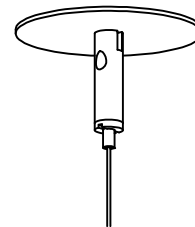
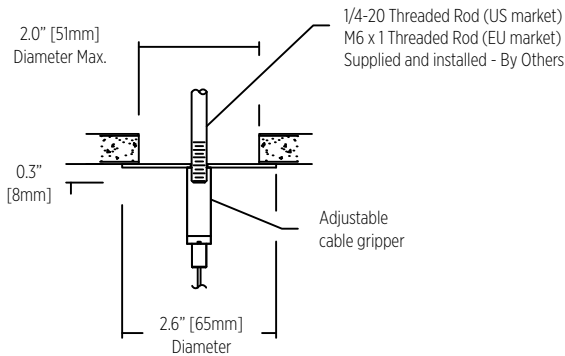
MOP-3A Order Separately



Mounting Option Power 3A
65mm Diameter Box (By Others)
Installed in drywall, wood or concrete ceiling

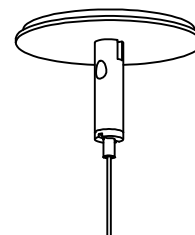
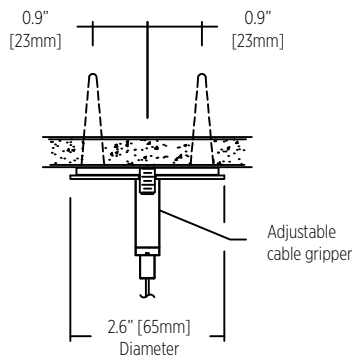
STRAIGHT CABLES MOUNTING OPTION - NON POWER

MONP-1A-1 Standard - Supplied



Mounting Option - Non Power
Threaded Rod installed
to structural ceiling (By Others)

MONP-1A-2 Alternative - Supplied



Mounting Option - Non Power
Suspension Assembly
Installed in drywall, wood or concrete ceiling